

### IMPORTANT

READ CAREFULLY BEFORE INSTALLING FIXTURE. RETAIN THESE INSTRUCTIONS FOR FUTURE REFERENCE.

FIXTURES MUST BE WIRED IN ACCORDANCE WITH THE NATIONAL ELECTRICAL CODE AND ALL APPLICABLE LOCAL CODES. PROPER GROUNDING IS REQUIRED FOR SAFETY.

THIS PRODUCT MUST BE INSTALLED IN ACCORDANCE WITH THE APPLICABLE INSTALLATION CODE BY A PERSON FAMILIAR WITH THE CONSTRUCTION AND OPERATION OF THE PRODUCT AND THE HAZARDS INVOLVED.

WARNING: MAKE CERTAIN POWER IS OFF BEFORE INSTALLING OR MAINTAINING FIXTURE.  
 NO USER SERVICEABLE PARTS INSIDE.

#### SLIPFITTER MOUNTING(FIG.1)

1. The slipfitter mounting fits a 2 3/8" O.D. Tenon.  
 Place the slipfitter over the Tenon and secure the fixture with the Set Screws (2) on the side of the slipfitter.
2. Remove two screws on side of Round Cover Plate.  
 Remove the Round Cover Plate and adjust the angle of the fixture.
3. Loosen the Locking Bolt and swivel fixture to desired angle.
4. Tighten the Locking Bolt and re-attach Round Cover Plate.

#### TRUNNION MOUNTING (FIG.2)

To adjust the angle of the fixture using the trunnion:

1. Loosen the Pivot Bolts & angle locking screw.
2. Adjust fixture to desired angle.
3. Tighten Pivot Bolts & angle locking screw.

FIG 1)

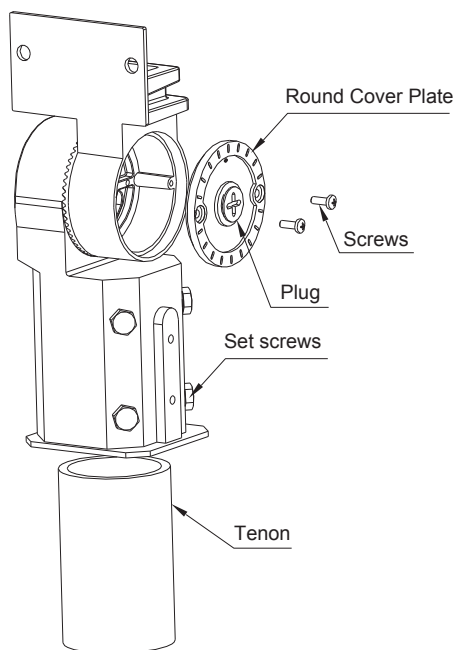
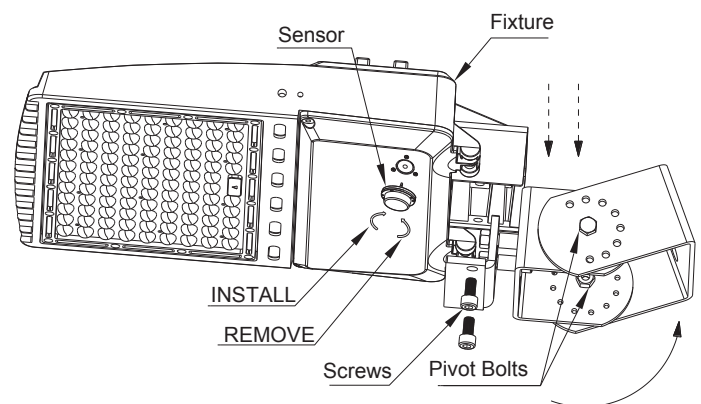


FIG 2)



#### ADJUSTABLE ARM MOUNTING

1. Square Pole Installation: Install the arm base on the square pole(FIG.3), connect the wires correctly, slide the fixture down to the arm base and screw the two safety screws(FIG.4)
- 2.Round Pole Installation: Make the mounting base arc-shaped to fit the round pole(FIG.5), screw the plate and mounting base together(FIG.6), connect the wires correctly, slide the fixture down to the arm base and screw the two safety screws(FIG.7).

FIG 3)

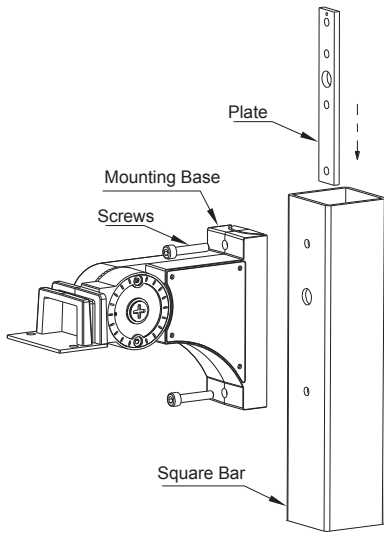


FIG 4)

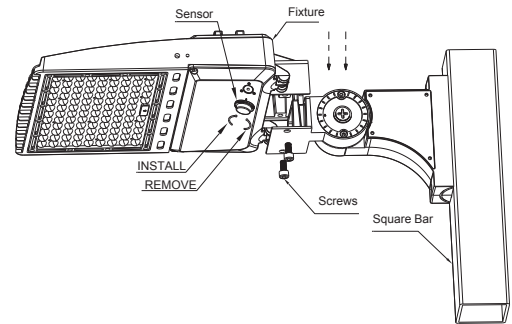


FIG 5)

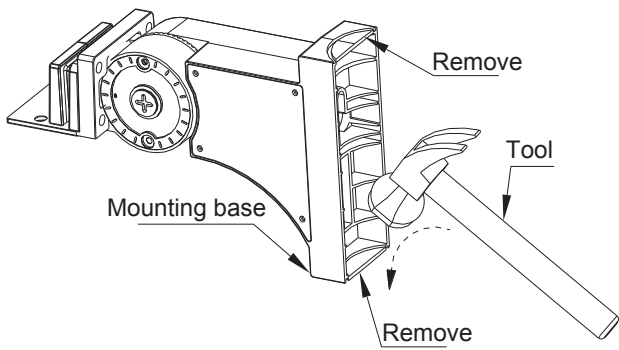


FIG 6)

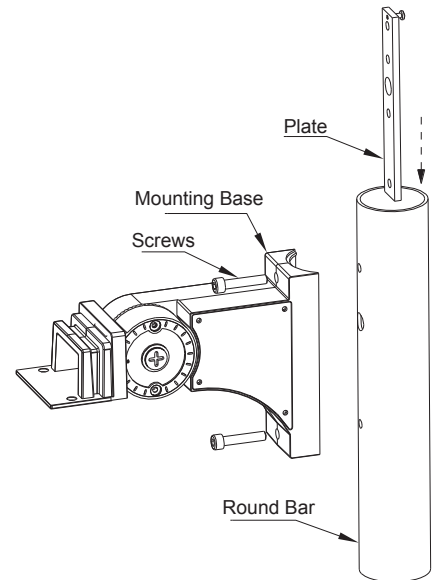
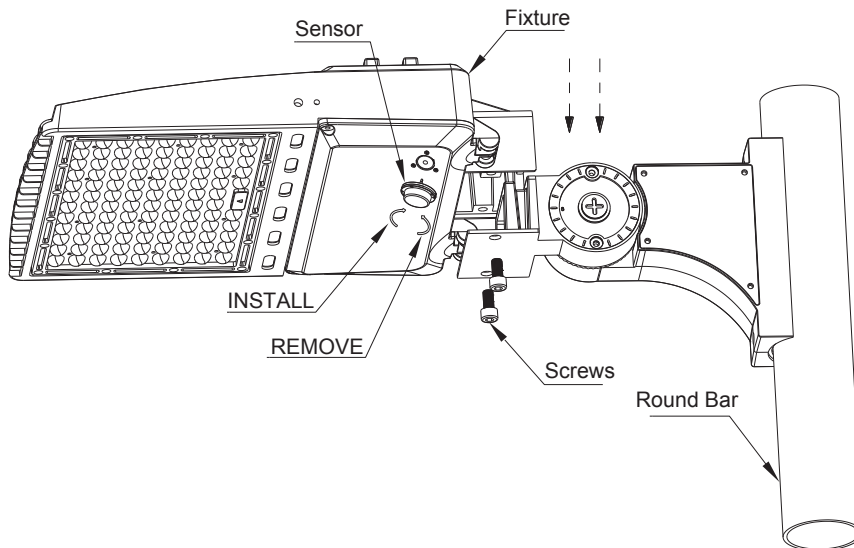


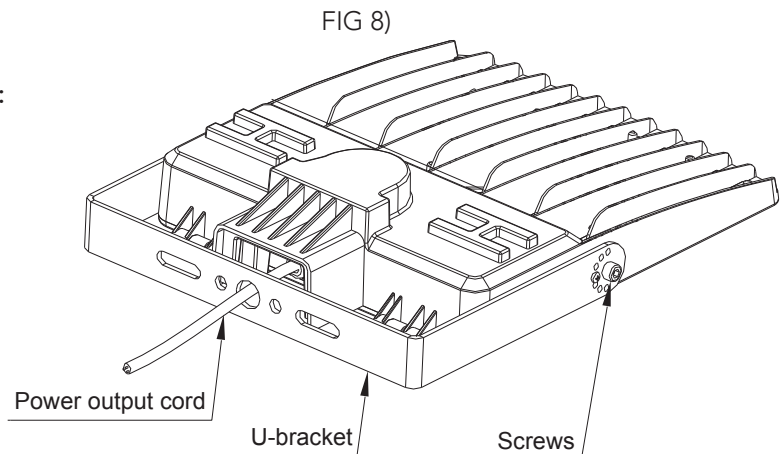
FIG 7)



### U-BRACKET MOUNTING(FIG.8)

To adjust the angle of the fixture using the bracket:

1. Loosen the angle locking screw.
2. Adjust fixture to desired angle.
3. Tighten angle locking screw.



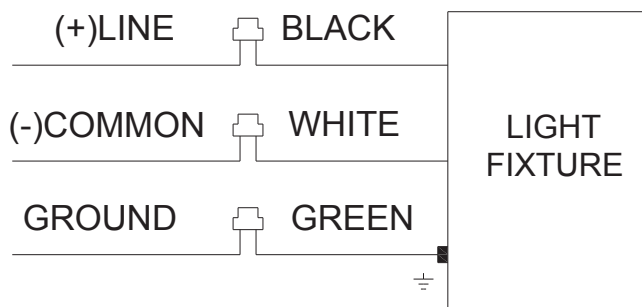
TAKE OFF THE PLUG TO INSTALL OR REMOVE THE SENSOR WHEN NEEDED AS FIG INDICATED.

### WIRING

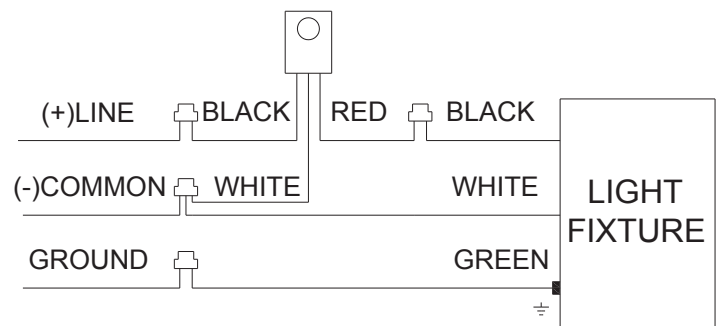
Universal voltage driver permits operation at 120V to 277VAC, 50 or 60 Hz except fixtures factory ordered with a (PC)

1. Connect the black fixture lead to the (+) LINE supply lead.
2. Connect the white fixture lead to the (-) COMMON supply lead.
3. Connect the GROUND wire from fixture to supply ground

(FIG.1 Without photocell)



(FIG.2 Without photocell)

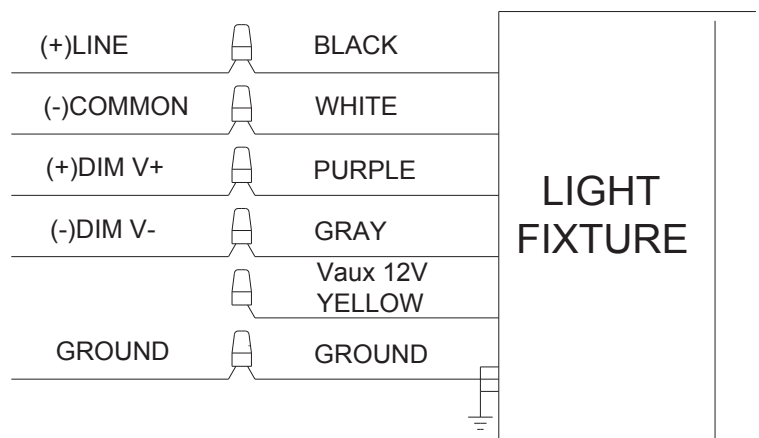


### 0-10V DIMMABLE WIRING

Universal voltage driver permits operation at 120V thru 277V, 50 or 60 Hz. For 0-10V Dimming, follow the wiring directions as in fig. 3.

1. Connect the black fixture lead to the (+) LINE supply lead.
2. Connect the white fixture lead to the (-) COMMON supply lead.
3. Connect the GROUND wire from fixture to supply ground.
- Do NOT connect the GROUND of the dimming fixture to the output.
4. Connect the purple fixture lead to the (V+) DIM lead.
5. Connect the gray fixture lead to the (V-) DIM lead.
6. Cap the yellow fixture lead, if present. Do NOT connect.

(FIG.3 0-10V Dimming)



## CLEANING&MAINTENANCE

**CAUTION:** Be sure fixture temperature is cool enough to touch. Do not clean or maintain while fixture is Energized.

1. Clean lens & fixture with non-abrasive glass cleaning solution.
2. Do not open fixture to clean the LED. Do not touch the LED

## TROUBLESHOOTING

1. Check that the line voltage at fixture is correct. Refer to wiring directions.
2. Is the fixture grounded properly?

**Note:** These instructions do not cover all details or variations in equipment nor do they provide for every possible situation during installation operation or maintenance.