

Date:	Type:
Project Name:	Part Number:

LED VAPOR TIGHT FIXTURE with Built in Bi-Level Dim Sensor



DESCRIPTION

Reno linear vapor tight is housed in polycarbonate silicon perimeter gasket with brackets for mounting. Engineered for powerful lighting. The Reno linear vapor tight has an IP65 protection grade and is DLC and UL certified, making it a great lighting solution for your industrial application.

FEATURES

- Surface mount and suspension kit optional
- One-piece polycarbonate housing body and frosted polycarbonate lens
- DLC Premium and UL listed
- All components have UL certification
- Protection Grade IP65
- Operating temperature: -22°F - 122°F
- Dual Voltage 120-347V
- Rated Life. > 70,000 hours
- 10-year Limited warranty
- 0-10V Dimming
- Built in sensor (Default : Dim to 30% after 5 mins)

APPLICATIONS

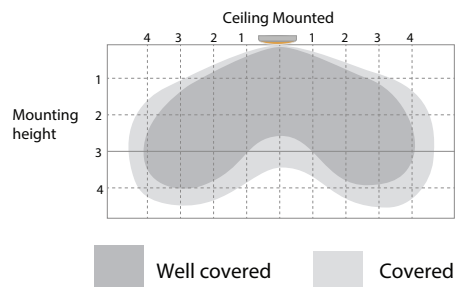
- Parking Area
- Stairwell
- Low Bay Application
- Utility Lighting

SPECIFICATION

ORDER #	MODEL#	LUMENS OUTPUT	EFFICACY (lm/w)	IP RATING	WATTS	VOLTS	POWER FACTOR	CCT	CRI
R33105	RENO-LVP4-40W-DV-MCCT-MS	5400lm	130	IP65	40W	120-347V	0.9	3500K/4000K/5000K	80
R33106	RENO-LVP4-60W-DV-MCCT-MS	7800lm	130	IP65	60W	120-347V	0.9	3500K/4000K/5000K	80
R39408	RENO-LHB-CONTROLLER	CONTROLLER FOR BI_LEVEL SENSOR (OPTIONAL)							

DETECTION COVERAGE

Typical installation height 2.5-4m
 This figure indicates the maximum distance at the highest mounting height with 100% sensitivity.

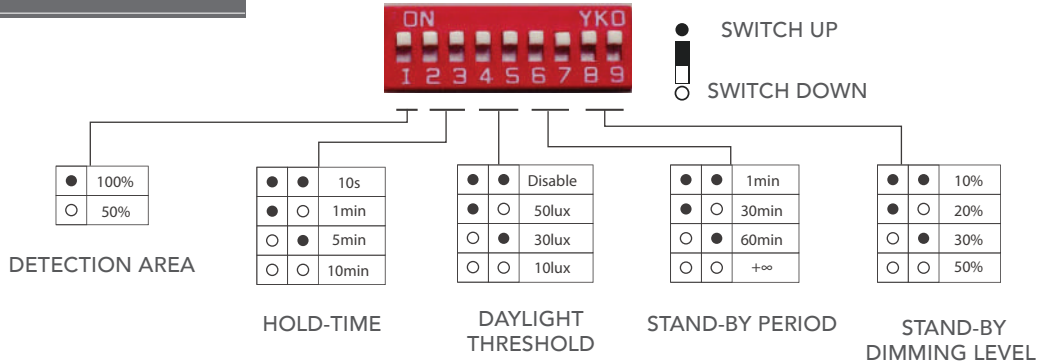
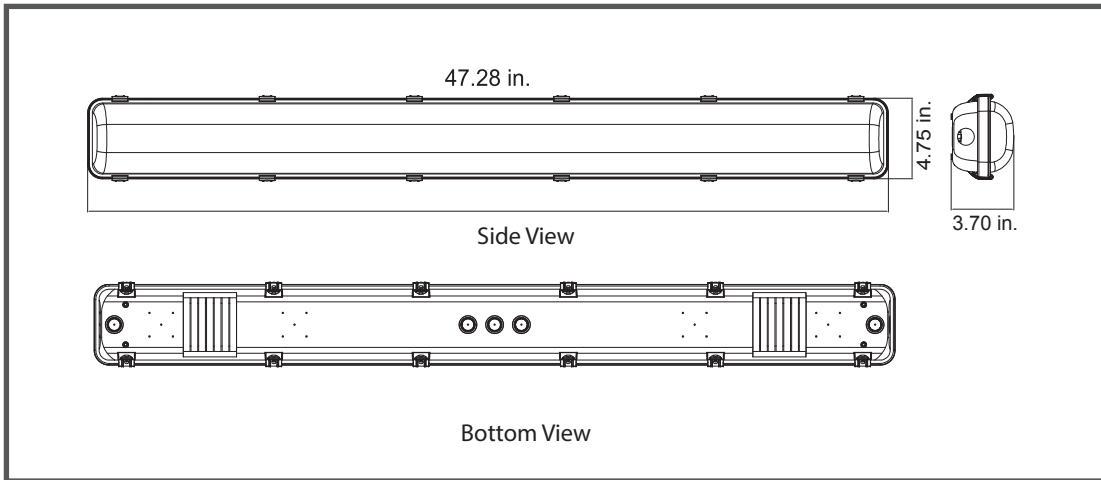
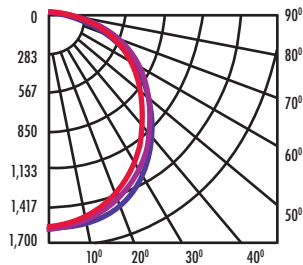


Date:

Type:

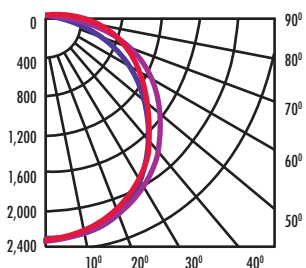
Project Name:

Part Number:

SETTING

DIMENSION

LUMINOUS EMITTANCE
40W

 0° H 90° H Max Cd: 60° H

FLOOD SUMMARY

	Efficiency %	Lumens	Horiz. Spread	Vert. Spread
Field (10%):	96.1	4,949.9	n/a	160.3
Beam (50%):	65.6	3,375.4	113.7	109.7
Total:	100	5,152.4		

60W

 0° H 90° H Max Cd: 60° H

FLOOD SUMMARY

	Efficiency %	Lumens	Horiz. Spread	Vert. Spread
Field (10%):	95.8	7,303.7	n/a	160.6
Beam (50%):	65.1	4,963.4	118	109.1
Total:	100.1	7,634.1		



905-604-4666



info@renolighting.com



www.renolighting.com