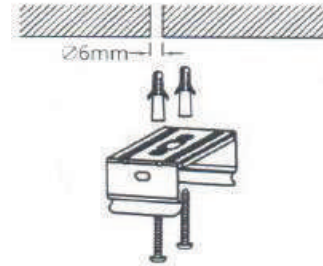


**ATTENTION:** Disconnect the Electrical supply power at the services panel (fuse or circuit breaker box). Failure to do so could result in serious injury.

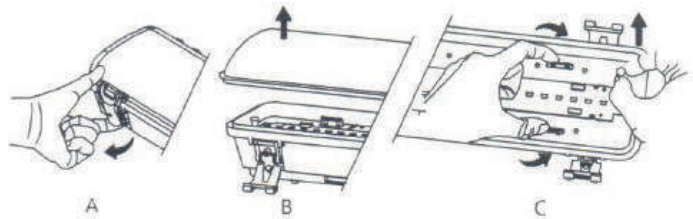
**A: SURFACE MOUNT**

Mount the two ceiling brackets directly to the ceiling using suitable anchors and screws. The housing will snap into these brackets when aligned.



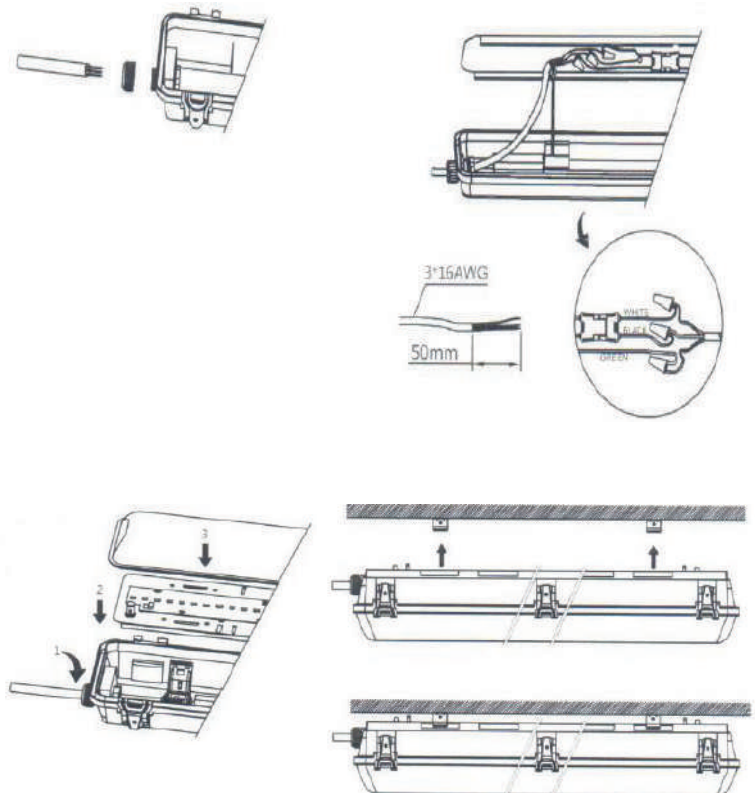
**B:**

1. Open stainless steel clips (image A)
2. Remove diffuser (image B)
3. Remove reflector (image C)



**C: WIRING**

1. Remove and reverse the cable gland located at one end of the enclosure. Insert the flexible power cable (not included) through the cable gland allowing for sufficient length of stripped cable inside the housing and tighten the gland.
2. Make the GROUND connection to the supplied green grounding conductor
3. For luminaires operating on 120V-347V. Make connections to the driver disconnect leads always observing polarity of the black (HOT) and white (NEUTRAL) conductors.
4. Replace the reflector by aligning and pushing the reflector onto the housing clips.
5. Replace the lens and secure all lens clips
6. Apply power.



**MCCT:**

