

| | |
|---------------|--------------|
| Date: | Type: |
| Project Name: | Part Number: |

LED UFO Highbay



Dimmable Sensor
(OPTIONAL)



PC Reflector with
bottom cover

DESCRIPTION

Our new generation LED highbays are ideal for replacing HID High Bay fixtures, offering high performance and long life. Designed precision spherical and convex lens and offers low brightness, uniform illumination and high efficiency LED platform. Designed with easy installation of sensors at the face of the fixture.

FEATURES

- Suitable for wet locations
- IP65 rated Provides L70 of greater than 70,000 hours
- a large heat sink.
- Includes 6' cord, ring bolt mounting accessory & safety hanging kit
- Dual Voltage 120-347V
- -40°F to 122°F (-40°C to +50°C) operating temperature
- 7 Years Limited Warranty

APPLICATIONS

- Commercial Building
- Warehouse
- Road Junction

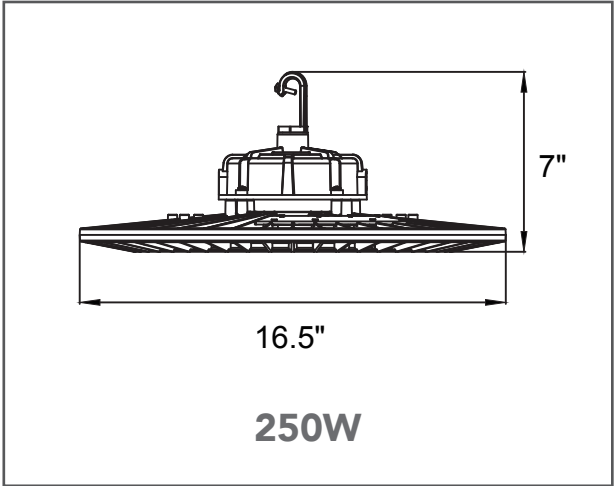
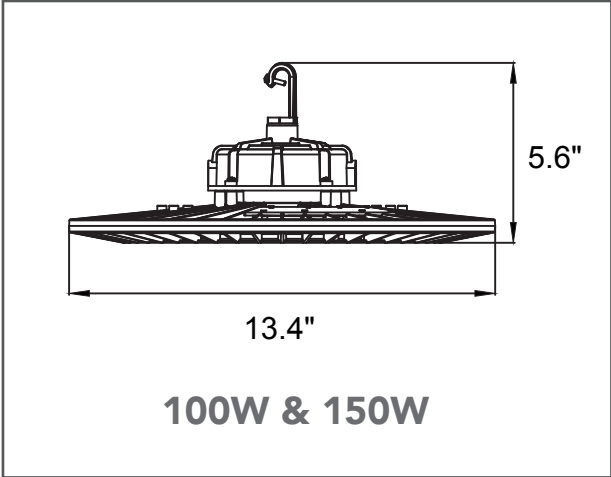


SPECIFICATION

| ORDER # | MODEL# | LUMENS OUTPUT | BEAM ANGLE | WATTS | VOLTS | POWER FACTOR | CCT | CRI |
|---------|---------------------------------|---|------------|-------|----------|--------------|-------|-----|
| R34202 | RENO-HBU-100W-DV-5K | 15000lm | 90° | 100W | 120-347V | 0.9 | 5000K | >80 |
| R34203 | RENO-HBU-150W-DV-4K | 21750lm | 90° | 150W | 120-347V | 0.9 | 4000K | >80 |
| R34204 | RENO-HBU-150W-DV-5K | 21750lm | 90° | 150W | 120-347V | 0.9 | 5000K | >80 |
| R34206 | RENO-HBU-250W-DV-5K | 36250lm | 90° | 200W | 120-347V | 0.9 | 5000K | >80 |
| R39601 | RENO-HBU-Cover-1 | PC Reflector for 100W&150W UFO HIGHBAY | | | | | | |
| R39602 | RENO-HBU-Cover-2 | PC Reflector bottom cover for 100W&150W UFO HIGHBAY | | | | | | |
| R39405 | Bi-level Sensor for UFO highbay | Bi-level Sensor for UFO highbay | | | | | | |
| R39406 | Controller for Bi-Level Sensor | Controller for Bi-Level Sensor | | | | | | |

| | |
|---------------|--------------|
| Date: | Type: |
| Project Name: | Part Number: |

DIMENSION



LUMINOUS EMITTANCE

